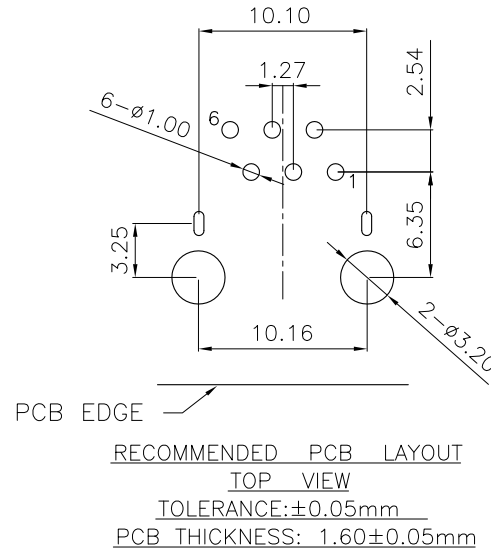
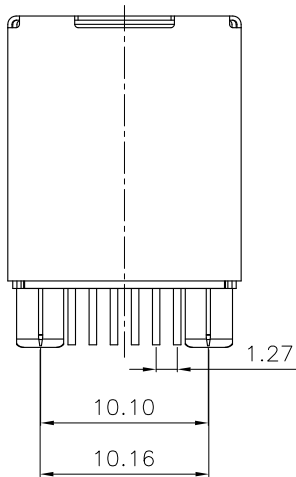
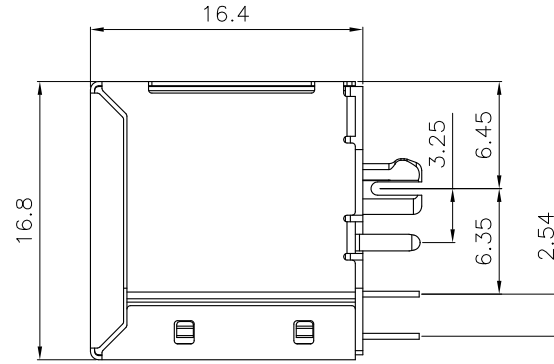
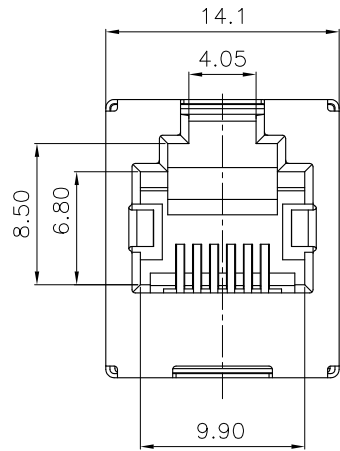


正式图 参考图 CUSTOMER DRAWING
The requirements of environmental protection
ROHS2 Halogen free

Mark	ECN NO.	DESCRIPTION	DESIGN	Date:
—	—	NEW VERSION	David Zhou	2014.04.15



SPECIFICATION:

Electrical:

Current Rating: 1.5Amp max
Voltage Rating: 150VAC max
Insulation Resistance: 500 megohms min
Contact Resistance: 50 milliohms max
Withstanding Voltage: 1000 VAC

Mechanical:

Durability: 750 Cycles
Operating Temperature: -40°C ~ +70°C
Storage Temperature: -50°C ~ +75°C
Contact Normal Force: 100g Minimum
Soldering Temperature:
260+/-5°C, 5sec/95% areabe covered
Withstand Temperature: 270+/-5°C, 5sec No stick tin melting phenomenon

P/N:

RJ1031W-XXXX-XXXX00B

- Model P/N
- Plastical Material
 - B0: PBT4815 15%GF, UL94-V0 ROHS
 - B4: PBT5615 15%GF, UL94-V0 ROHS&H.F
 - D6: PA66 30%GF, UL94-V0 ROHS&H.F
 - C0: LCP, UL94-V0 ROHS&H.F
- Button Color
 - 01: Black
 - 02: Red(485C)
 - 03: White
 - 04: Yellow(114C)
 - 08: Gray(Cool Gray2C)
- Packing
 - B: Tray
- Chocolate: LED Color Options Table
- Plating Code:
 - 00: Gold Flash
 - 01: 6u"
 - 02: 15u"
 - 03: 30u"
 - 04: 50u"
- Contacts:
 - 2C: 2Pin Contacts
 - 4C: 4Pin Contacts
 - 6C: 6Pin Contacts

NO.	DESCRIPTION	QTY	PARTS MATERIAL	PLATING OR COLOR	REMARK
3	Shell	1	Copper Alloy	Nickel Plating	-
2	TERMINAL	6	0.35mm Thickness Copper Alloy, Plated With Gold And Tin in Solder Area.	Selective Gold Plating.(Gold See Part No)	-
1	Housing	1	Choose from P/N	Choose from P/N item color	-

Tolerance	MODEL NAME: RJ11 CONNECTOR	DRAWING: David Zhou
X.X ±0.30	MODEL No: RJ1031W-XXXX-XXXXXXX	CHECKED: David Zhou
X.XX ±0.20	SCALE: 1:1	APPROVED: Jacky Lee
X.XXX ±0.10		REVISION A0
Angle ±3.0°	SHEET 1/1	DATE: 2014.04.15
UNIT: mm	菱揚精密有限公司 Ling Yang Precision Co., Ltd	FILE: CD/LINGYANG
		DWG NO. RJ1031W-A001