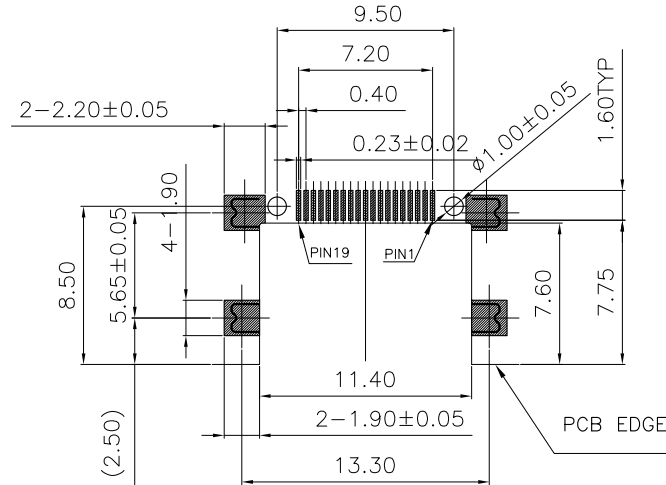
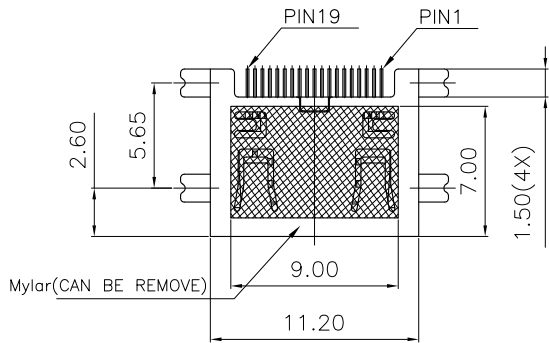
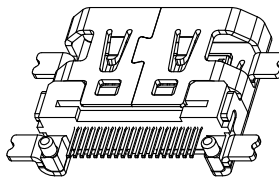
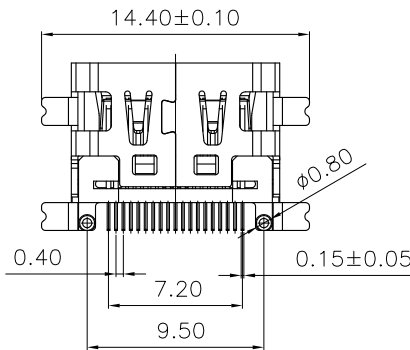
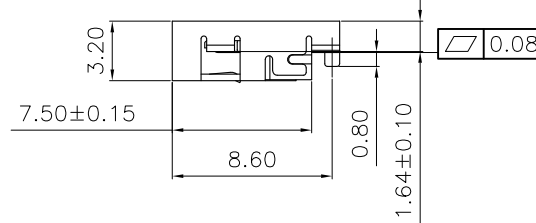
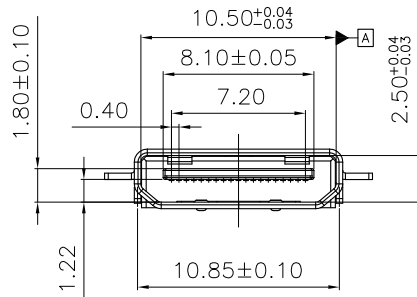


正式图 参考图 CUSTOMER DRAWING
The requirements of environmental protection
ROHS2 Halogen free

Mark	ECN NO.	DESCRIPTION	DESIGN	Date:
—	—	NEW VERSION	Zeng Yu	2013.11.07



RECOMMENDED PCB LAYOUT
THICKNESS = 1.6 mm
TOLERANCE = ±0.05
(TOP VIEW)



NOTE:
1.MECHANICAL CHARACTERISTICS
INSERTION FORCE: 44.1N MAX
EXTROCTION FORCE: 9.8N MIN, 39.2N MAX
MATING CYCLE:10000 CYCLES
2.ELECTRICAL CHARACTERISTICS
RATING CURRENT: 0.5A
RATING VOLTAGE: 40V
CONTACT RESISTANCE: 10 MILLOHMS OHMS MAX
(EXCLUDING CONDUCTOR RESISTANCE)
INSULATION RESISTANCE:
a, UNMATED: 100M OHMS MIN AT 500 VDC
b, MATED: 10M OHMS MIN AT 150 VDC
DIELECTRIC WITHSTANDING VOLTAGE: 300V AC/1MINUTE
OPERATING TEMPERATURE: -20°C--+85°C
STORAGE TEMPERATURE: -20°C--+65°C

2	CO	LCP 40%G/F UL94V-0	RoHS2&H.F Fit
1	LO	PA9T 30%G/F UL94V-0	RoHS2 Fit
		MATERIAL	REMARK

TABLE A : Plastical Material

P/N:

Model P/N HD1088W-XXXX-XXXXXXX

Plastical Material (Choose From Table A)

Housing Color 01:Black

PIN Number

Terminal Plating

SHELL PLATING & SALT

Packing B:Tray; R:Tape reel;
Remark
0: WITHOUT MYLAR
1: WITH MYLAR
Shell Material
H:Spcc-sd;
C:Grass C2680;
K:S50C

1:GOLD FALSH PLATING OVER ALL;
2:CONTACT AREA:3U"GOLD,SOLDER AREA:GOLD FALSH
3:CONTACT AREA:15U"GOLD,SOLDER AREA:GOLD FALSH
4:CONTACT AREA:30U"GOLD,SOLDER AREA:GOLD FALSH
A:CONTACT AREA:GOLD FALSH,SOLDER AREA:MATTE TIN80U"
B:CONTACT AREA:3U"GOLD,SOLDER AREA:MATTE TIN80U"
C:CONTACT AREA:5U"GOLD,SOLDER AREA:MATTE TIN80U"
D:CONTACT AREA:10U"GOLD,SOLDER AREA:MATTE TIN80U"
E:CONTACT AREA:15U"GOLD,SOLDER AREA:MATTE TIN80U"
F:CONTACT AREA:20U"GOLD,SOLDER AREA:MATTE TIN80U"
G:CONTACT AREA:30U"GOLD,SOLDER AREA:MATTE TIN80U"

3	SHELL	1	C2680 R-H (S50C T=0.5mm)	NICKEL(120U"min) PLATING OVER ALL/AU PLATING.	-
2	TERMINAL	19	C2680 R-H	GOLD FLASH(0.8U"min) PLATING ON CONTACT AREA AND MATTE TIN(80U"min) PLATING ON SOLDER AREA,NICKEL(40U") UNDER PLATING OVER ALL.	-
1	HOUSING	1	LCP	Choose from P/N item color	-
NO.	DESCRIPTION	QTY	PARTS MATERIAL	PLATING OR COLOR	REMARK

Tolerance X.X ±0.30 X.XX ±0.20 X.XXX ±0.10 Angle ±3.0°	MODEL NAME:HDMI CONNECTOR MODEL No:HD1088W-XXXX-19XXXXX	DRAWING: Miao Xue Ting CHECKED: Zeng Yu	
	SCALE: 1:1	REVISION A0	SHEET 1/2
UNIT:mm	菱揚精密有限公司 Ling Yang Precision Co.,Ltd	APPROVED:Xiao Zhong Bo DATE: 2013. 11. 07 FILE: XZB/LINGYANG DWG NO. HD1088W-A001	