

正式图 参考图 CUSTOMER DRAWING  
 For products of environmental protection  
 ROHS2 Halogen free

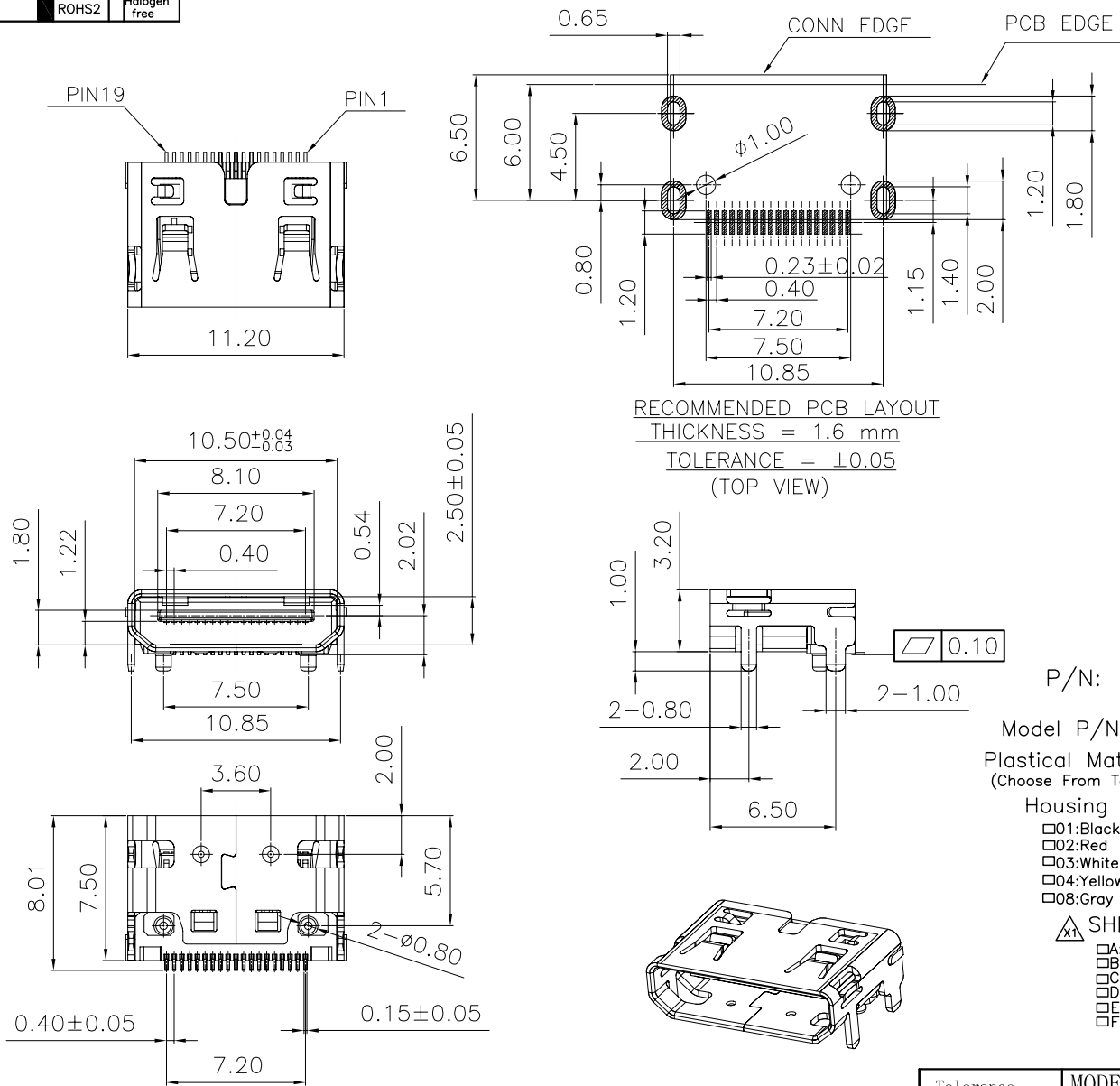
Mark	ECN NO.	DESCRIPTION	DESIGN	Date:
—	—	NEW VERSION	David Zhou	2013.11.26
△1	EN20140821001	Increase the description	David Zhou	2014.08.21
△2	EN20141013001	Update the material description	David Zhou	2014.10.13

NOTE:

- MECHANICAL CHARACTERISTICS  
 INSERTION FORCE: 44.1N MAX  
 EXTROCTION FORCE: 9.8N MIN, 39.2N MAX  
 MATING CYCLE:10000 CYCLES
- ELECTRICAL CHARACTERISTICS  
 RATING CURRENT: 0.5A  
 RATING VOLTAGE: 40V  
 CONTACT RESISTANCE: 10 MILLOHMS OHMS MAX  
 (EXCLUDING CONDUCTOR RESISTANCE)  
 INSULATION RESISTANCE:  
 a, UNMATED: 100M OHMS MIN AT 500 VDC  
 b, MATED: 10M OHMS MIN AT 150 VDC  
 DIELECTRIC WITHSTANDING VOLTAGE: 300V AC/1MINUTE  
 OPERATING TEMPERATURE: -20°C---+85°C  
 STORAGE TEMPERATURE: -20°C---+65°C

NO.	CODE	MATERIAL	REMARK
2	CO	LCP 40%G/F UL94V-0	RoHS2&H.F Fit
1	LO	PA9T 30%G/F UL94V-0	RoHS2 Fit

TABLE A : Plactical Material



RECOMMENDED PCB LAYOUT  
 THICKNESS = 1.6 mm  
 TOLERANCE = ±0.05  
 (TOP VIEW)

P/N: HD1084W-XXXX-XXXXXXX  
 Model P/N  
 Plactical Material (Choose From Table A)  
 Housing Color  
 PIN Number  
 Terminal Plating  
 Packing  
 Remark  
 Shell Material  
 SHELL PLATING & SALT  
 Tolerance  
 MODEL NAME: HDMI C/F TYPE SMT TYPE  
 MODEL No: HD1084W-XXXX-19XXXXX  
 REVISION A2  
 SHEET 1/1  
 DATE: 2013.11.26  
 FILE: CD/LINGYANG  
 DWG NO. HD1084W-A001

NO.	DESCRIPTION	QTY	PARTS MATERIAL	PLATING OR COLOR	REMARK
3	SHELL	1	C2680 R-H (S50C T=0.5mm)	NICKEL(120U"min) PLATING OVER ALL/AU PLATING	△1
2	TERMINAL	19	PHOSPHOR BRONZE	GOLD FLASH(xu"min) PLATING ON CONTACT AREA AND MATTE TIN(80U"min) PLATING ON SOLDER AREA,NICKEL(40U") UNDER PLATING OVER ALL.	
1	HOUSING	1	LCP	Choose from P/N item color	

UNIT:mm

SCALE:1:1

REVISION A2

SHEET 1/1

DATE: 2013.11.26

FILE: CD/LINGYANG

DWG NO. HD1084W-A001

菱揚精密有限公司  
 Ling Yang Precision Co.,Ltd