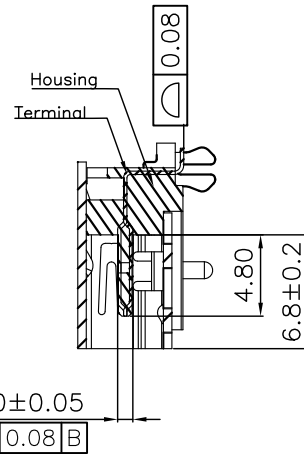
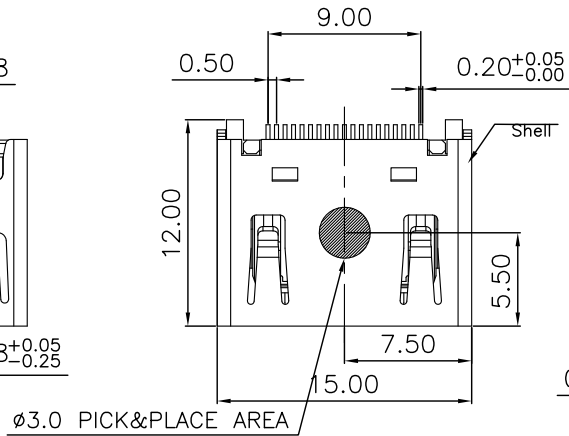
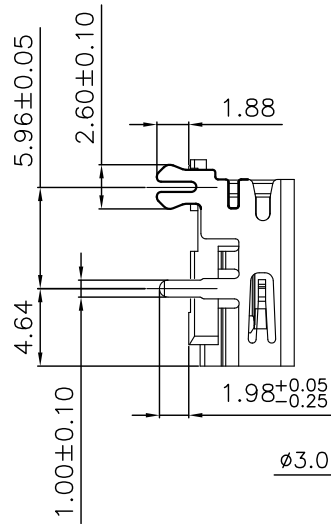
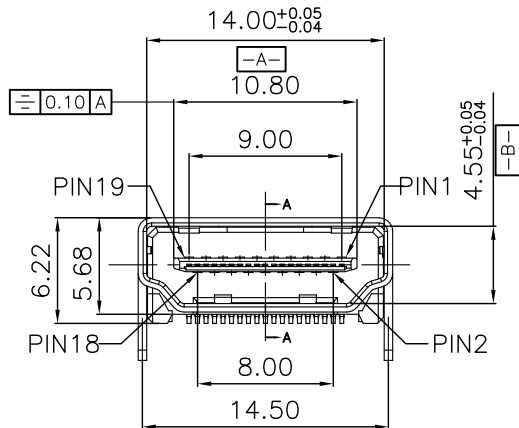


正式图 参考图 CUSTOMER DRAWING
The requirements of environmental protection
ROHS2 Halogen free

Mark	ECN NO.	DESCRIPTION	DESIGN	Date:
—	—	NEW VERSION	Zeng Yu	2013.11.06



SECTION A-A
SCALE 1:1

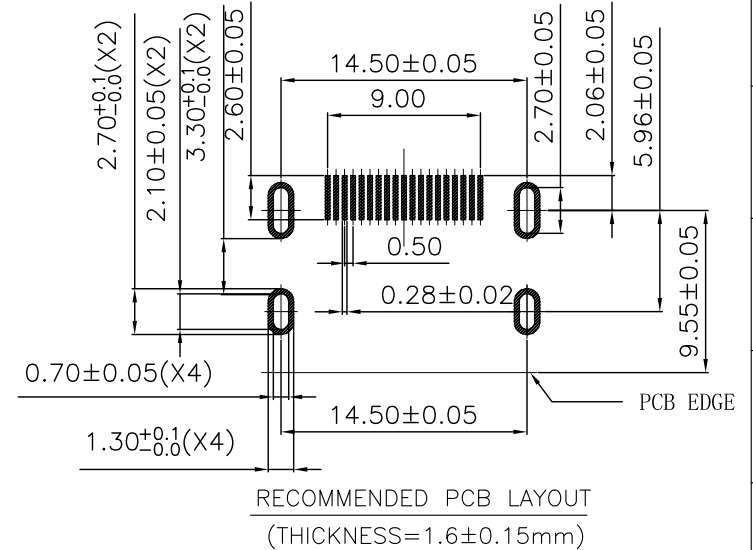


NOTE:

1. MATERIAL:
 - 1.1 HOUSING: LCP
 - 1.2 TERMINAL: C2680R(T=0.20mm)
 - 1.3 SHELL: SPCC(T=0.50mm)
2. PLATING:
 - 2.1 TERMINAL:

GOLD FLASH(0.8U"min) PLATING ON CONTACT AREA AND MATTE TIN(80U"min) PLATING ON SOLDER AREA, NICKEL(40U") UNDER PLATING OVER ALL.
 - 2.2 SHELL:

NICKEL(120U"min) PLATING OVER ALL(SALT:48HOURS). (180U"min) PLATING OVER ALL(SALT:48HOURS).



NO.	DESCRIPTION	QTY	PARTS MATERIAL	PLATING OR COLOR	REMARK
3	SHELL	1	C2680 R-H (S50C T=0.5mm)	NICKEL(120U"min) PLATING OVER ALL(SALT:48HOURS).	-
2	TERMINAL	19	C2680 R-H	GOLD FLASH(0.8U"min) PLATING ON CONTACT AREA AND MATTE TIN(80U"min) PLATING ON SOLDER AREA,NICKEL(40U") UNDER PLATING OVER ALL.	-
1	HOUSING	1	LCP	Choose from P/N item color	-

Tolerance	MODEL NAME: HDMI CONNECTOR	DRAWING: Miao Xue Ting	
X.X ±0.30	MODEL No: HD1081W-C001-19CA01B	CHECKED: Zeng Yu	
X.XX ±0.20	SCALE: 1:1	REVISION	SHEET
X.XXX ±0.10		A0	1/1
Angle ±3.0°	APPROVED: Xiao Zhong Bo		DATE: 2013.11.06
UNIT: mm	FILE: XZB/LINGYANG		DWG NO. HD1081W-A003



菱揚精密有限公司
Ling Yang Precision Co., Ltd