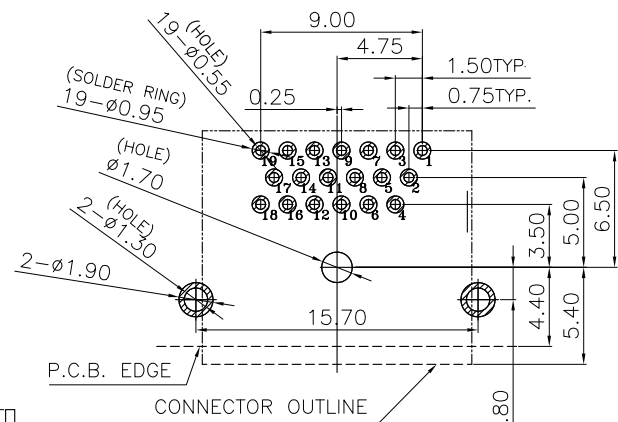
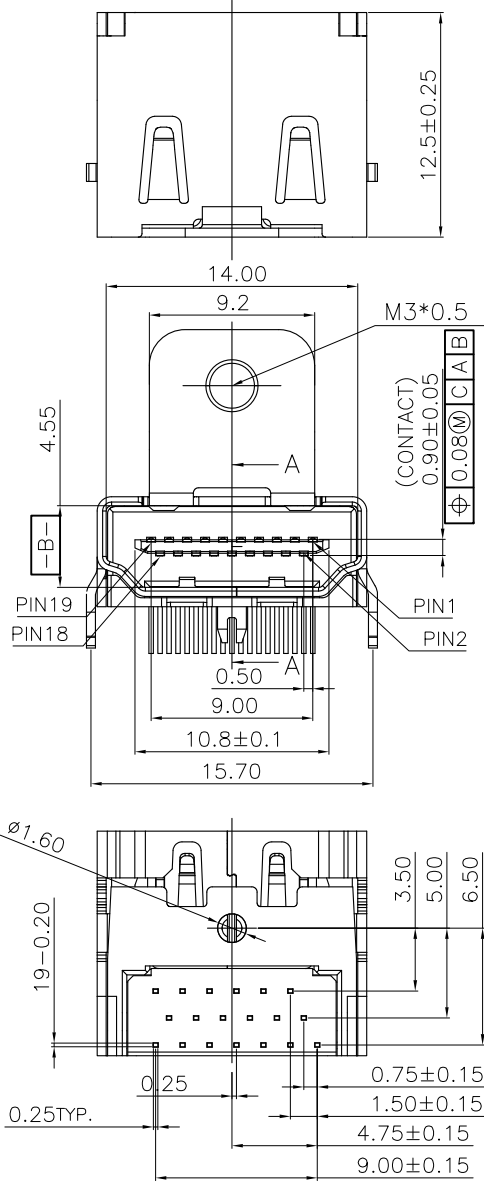


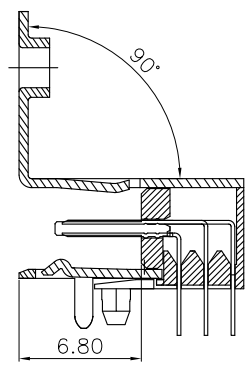
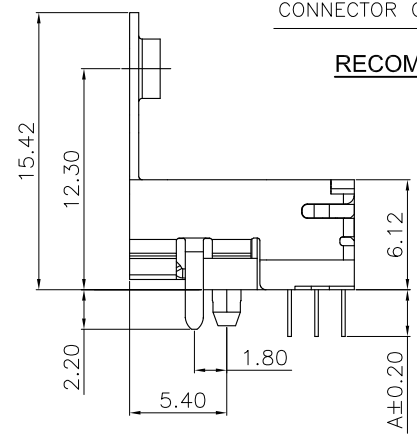
正式图 参考图 CUSTOMER DRAWING  
The requirements of environmental protection  
ROHS2 Halogen free

Mark	ECN NO.	DESCRIPTION	DESIGN	Date:
—	—	NEW VERSION	David Zhou	2015.04.15

A  
B  
C  
D  
E



RECOMMENDED PCB LAYOUT  
TOP VIEW



SECTION A-A

NOTE:  
1.MECHANICAL CHARACTERISTICS  
INSERTION FORCE: 44.1N MAX  
EXTROCTION FORCE: 9.8N MIN, 39.2N MAX  
MATING CYCLE:10000 CYCLES  
2.ELECTRICAL CHARACTERISTICS  
RATING CURRENT: 0.5A  
RATING VOLTAGE: 40V  
CONTACT RESISTANCE: 10 MILLOHMS OHMS MAX  
(EXCLUDING CONDUCTOR RESISTANCE)  
INSULATION RESISTANCE:  
a, UNMATED: 100M OHMS MIN AT 500 VDC  
b, MATED: 10M OHMS MIN AT 150 VDC  
DIELECTRIC WITHSTANDING VOLTAGE: 300V AC/1MINUTE  
OPERATING TEMPERATURE: -20°C---+85°C  
STORAGE TEMPERATURE: -20°C---+65°C

2			
1	CO	LCP 30%G/F UL94V-0	RoHS2&H.F Fit
NO.CODE		MATERIAL	REMARK

TABLE A : Plastical Material

P/N: HDXXXXX-XXXX-XXXXXXX

Model P/N  
Plastical Material (Choose From Table A)  
Housing Color  
□01:Black

Packing  
□B:Tray; □R:Tape reel;  
端子DIP脚 DIM A:  
1:2.0mm  
2:2.20mm  
3:2.60mm

PIN Number

SHELL PLATING & SALT  
□A:NI PLATING (8H)  
□B:NI PLATING (24H)

Terminal Plating  
□H:CONTACT AREA:GOLD FLASH,SOLDER AREA:Bright TIN80U"  
□J:CONTACT AREA:3U"GOLD,SOLDER AREA:Bright TIN80U"  
□K:CONTACT AREA:15U"GOLD,SOLDER AREA:Bright TIN80U"  
□L:CONTACT AREA:30U"GOLD,SOLDER AREA:Bright TIN80U"

NO.	DESCRIPTION	QTY	PARTS MATERIAL	PLATING OR COLOR	REMARK
3	SHELL	1	C2680 R-H	NICKEL PLATING OVER ALL.	-
2	TERMINAL	19	Copper Alloy	GOLD FLASH(xx"min) PLATING ON CONTACT AREA AND Bright TIN(80U"min) PLATING ON SOLDER AREA,NICKEL(40U") UNDER PLATING OVER ALL.(Gold See Part No)	-
1	HOUSING	1	LCP	Choose from P/N item color	-

Tolerance X.X ±0.30 X.XX ±0.20 X.XXX ±0.10 Angle ±3.0°	MODEL NAME:HD1106W A/F TYPE 90度SMT MODEL No:HD1106W-XXXX-19XXXXX	DRAWING: David Zhou CHECKED: David Zhou APPROVED:Jacky Lee DATE: 2015.04.15 FILE: CD/LINGYANG DWG NO. HD1106W-A001	
UNIT:mm	SCALE:1:1	REVISION A0	SHEET 1/1
Ling Yang Precision Co.,Ltd			