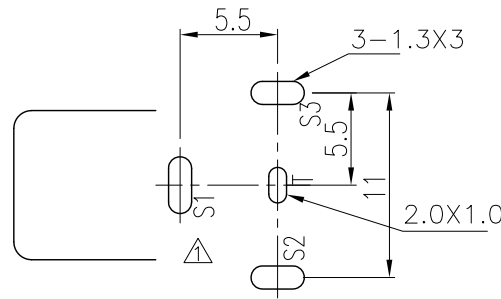
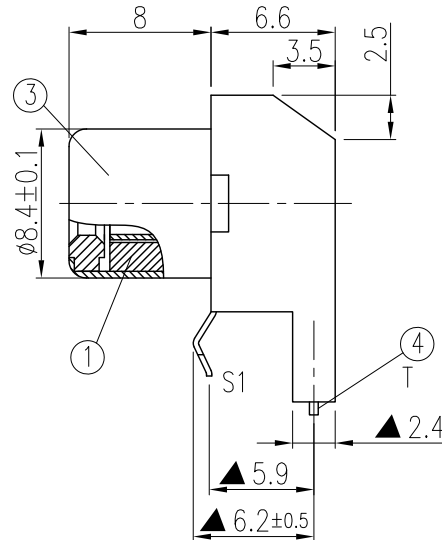
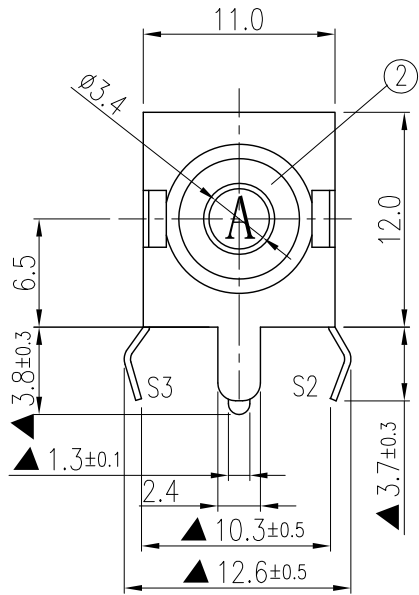


正式图 参考图 CUSTOMER DRAWING
The requirements of environmental protection
ROHS2 Halogen free

Mark	ECN NO.	DESCRIPTION	DESIGN	Date:
—	—	INITIAL RELEASE	Carlyle Xu	2014-08-28
△	ECN140930001	ADD PIN DEFINE	Carlyle Xu	2014-09-30
△	ECN141021001	CHANGE THE PLASTIC MATERIAL AND PLATING SPECIFICATION	Carlyle Xu	2014-10-21



- NOTES:
- Rating:DC12V 1.0A;
 - Contact Resistance:Before the test≤30milliohm, After the test≤50milliohm;
 - Insulation Resistance at DC500V: Before the test≥100megohm; After the test≥50megohm;
 - Withstand Voltage:AC500V for 1minutes;
 - Insertion and Extraction force:3~30N;
 - Life test:500 Cycles.
 - Operating temperature range:-25℃~+70℃ 85%RH MAX;
 - Storage Temperature Range:-40℃~+70℃ 85%RH MAX.
 - "▲" Shows QC inspection dimension.

T:1.6 Dimensions of PC board holes
Tolerance : ±0.1(Printed-side view)

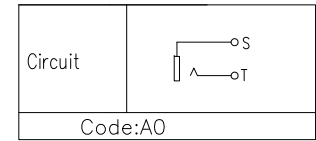


TABLE A:Circuit

NO.	CODE	MATERIAL	COLOR	REMARK
1	B0	PA66 30%G/F UL94V-0	BLACK	RoHS2 Fit

TABLE B : Plactical Material

NO.	CODE	REMARK
01	BLK	
02	RED	
03	WHT	
04	YEL	
05	GRN	
06	ORN	
07	BLU	
08	GRY	
A		

WHT:WHITE(白) BLU:BLUE(蓝) BRN:BROWN(棕)
2003C:YELLOW(黄) 1375C:ORANGE(橙) BRN:BROWN(黄棕)
GRN:GREEN(绿) GRY:GRAY(灰)
BLK:BLACK(黑) 193C:RED(红)

TABLE C : Color Code of Washer

NO.	PLATING CODE	SHELL	TERMINAL	SHIELD	REMARK
4	AE	Cu:80u"+Tin:4u"+Au:1u"(Min)	Cu:40u"+Tin:4u"Min	—	48Hours Salt
3	AG	Cu:40u"+Tin:4u"+Au:0.8u"(Min)	Cu:40u"+Tin:4u"Min	—	48Hours Salt
2	AB	Cu:80u"+Tin:4u"(Min)	Cu:40u"+Tin:4u"Min	—	48Hours Salt
1	A2	Cu:40u"+Tin:4u"(Min)	Cu:40u"+Tin:4u"Min	—	24Hours Salt

TABLE D : Plating Code

P/N: RC1010W-B003-A0A2C0B

Model P/N: _____ Packing
 B:Tray
 Plactical Material: _____ Remark
 (Choose From Table B) O:Normal;
 Washer Color: _____ Shell Material
 (Choose From Table C) H:Spcc-sd;
 C:Brass C2680;
 Circuit Code: _____ Plating Code
 (See Table A) (Choose From Table D)

NO.	DESCRIPTION	QTY	PARTS MATERIAL	PLATING OR COLOR	REMARK
4	Terminal	1	Brass 0.5t	Plating:Choose from table D	-
3	Outer Contact	1	Brass 0.5t	Plating:Choose from table D	-
2	Washer	1	PBT	Color:Choose from P/N color item	UL94V-0
1	Housing	1	Choose from Table B	Color:Choose from P/N color item	UL94V-0

Tolerance X.X ±0.30 X.XX ±0.20 X.XXX ±0.10 Angle ±3.0°	MODEL NAME:RCA JACK MODEL No:RC1010W-B0XX-A0A2C0B	DRAWING: Carlyle Xu CHECKED: David Zhou APPROVED: Jacky Lee DATE: 2014-08-28
UNIT:mm	SCALE:1:1 REVISION A2 SHEET 1/1	FILE: F/LINGYANG Model No:RC1010W-A002

菱揚精密有限公司
Ling Yang Precision Co., Ltd.