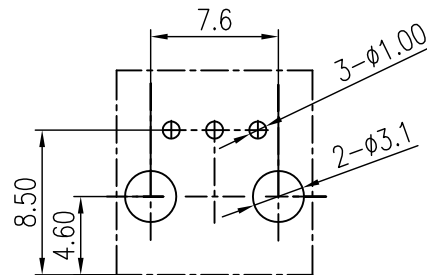
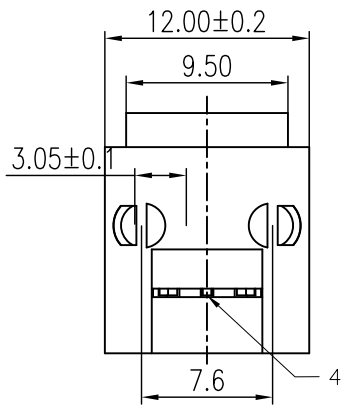


NOTES:

- 1.Signal transmission speed:Max25Mbps
2. Operating voltage:2.7 to5.5v
3. TTLand high C-MOS LOGIC compatible
4. Low power consumption
5. Operating temperature:-20° to 70°
6. Storage temperature:-30° to 80°
- 7.Soldering temperature:260°,time for 5s

Pin Function	
Tx	Rx
① Vin	① Vcc
② Vcc	② GND
③ GND	③ Vout



Recommended P.C.Board hole

P/N:

TR1027A-XXXX-00A0XXB

MODEL NO:
PLASTIC MATERIAL:
B0:PBT 30%G/F UL94V-0
D0:PA66 30%G/F UL94V-0
AUTOMATIC DOOR COLOR:
01:BLACK
08:GRAY
10:ORANGE1575C

PACKING:TRAY
SIGNAL SPEC:
T0:TRANSMIT SPEED 16Mbps
T1:TRANSMIT SPEED 25Mbps
R0:RECEIVE SPEED 16Mbps
R1:RECEIVE SPEED 25Mbps

NO.	DESCRIPTION	QTY	MATERIAL	PLATING OR COLOR
6	OPTICAL FIBER	1	—	Ag
5	SPRING COIL	1	STAINLESS STEEL	—
4	COVER	1	PA66 30%G/F UL94V-0	BLACK
3	BASE	1	PA66 30%G/F UL94V-0	BLACK
2	GATE	1	PA66 30%G/F UL94V-0	CHOOSE FROM P/N:
1	HOUSING	1	PA66 30%G/F UL94V-0	BLACK

TABLE E : Parts of Product

Tolerance	MODEL NAME:OPTICAL JACK	DRAWING: David Zhou
X.X ±0.30	MODEL No:TR1027A-XXXX-00A0XXB	CHECKED: David Zhou
X.XX ±0.20	SCALE:1:1	APPROVED:Jacky Lee
X.XXX ±0.10	REVISION A0	DATE: 2013.12.25
Angle ±3.0°	SHEET 1/1	FILE:CD/LINGYANG
UNIT:mm	菱揚精密有限公司 Ling Yang Precision Co.,Ltd	DWG NO. TR1027A-A001