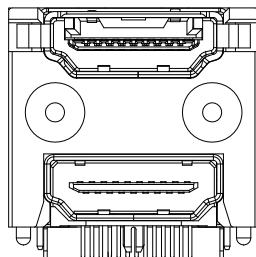
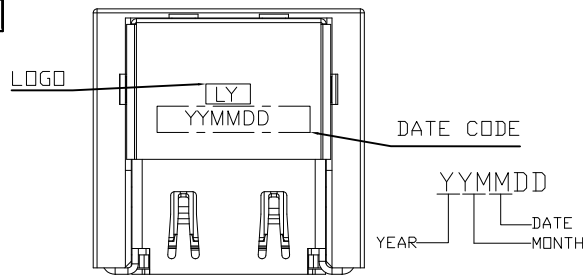


正式图 参考图

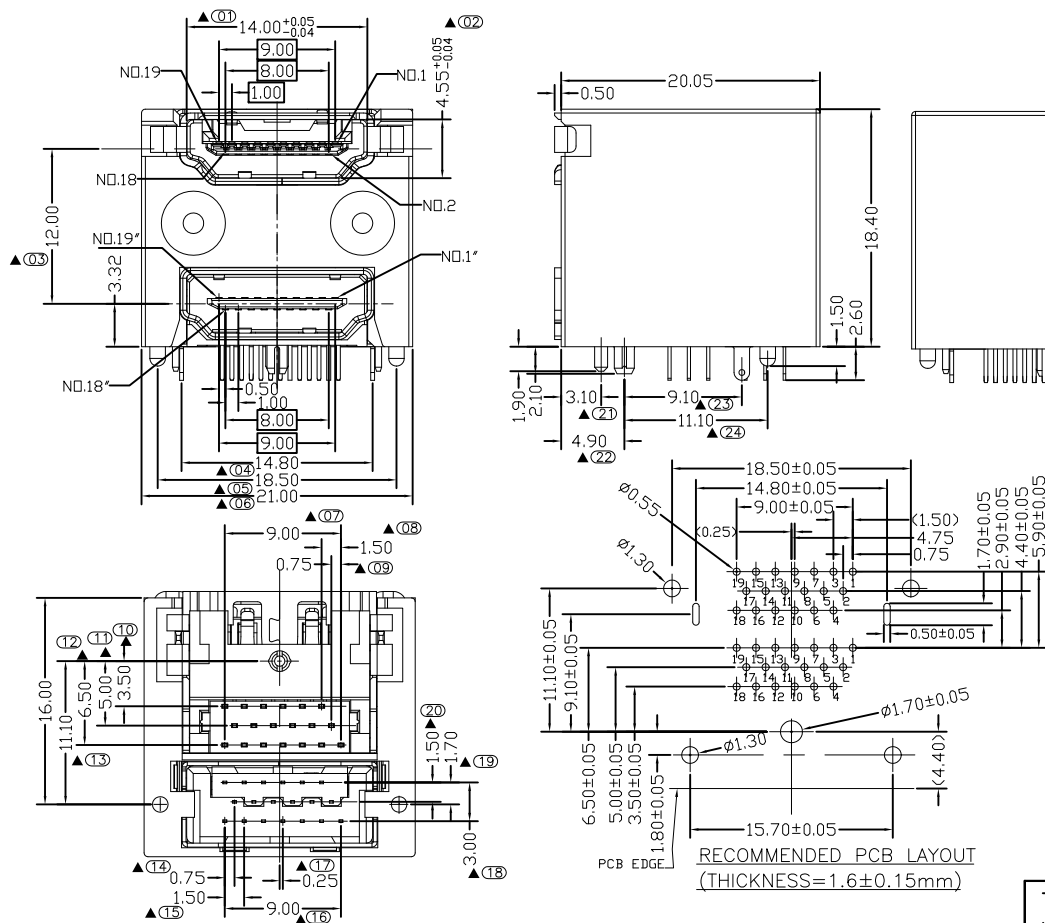
Mark	ECN NO.	DESCRIPTION	DESIGN	Date:
—	—	NEW VERSION	Peter Wang	2018.04.10



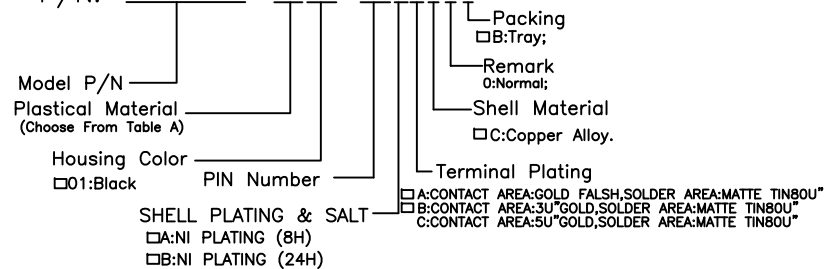
NOTE:
 1.MECHANICAL CHARACTERISTICS
 INSERTION FORCE: 45N MAX
 EXTROCTION FORCE: 3N MIN, 40N MAX
 MATING CYCLE:10000 CYCLES
 2.ELECTRICAL CHARACTERISTICS
 RATING CURRENT: 0.5A
 RATING VOLTAGE: 40V
 CONTACT RESISTANCE: 10 MILLOHMS OHMS MAX
 (EXCLUDING CONDUCTOR RESISTANCE)
 INSULATION RESISTANCE:
 a, UNMATED: 100M OHMS MIN AT 500 VDC
 b, MATED: 10M OHMS MIN AT 150 VDC
 DIELECTRIC WITHSTANDING VOLTAGE: 500V AC/1MINUTE
 OPERATING TEMPERATURE: -25°C--+85°C
 STORAGE TEMPERATURE: -25°C--+30°C
 Wave Solder 245°C,3~5 Seconds
 IR Reflow, Peak Temp 245°C,5~10SEC.
 3.Sign "▲" is importance dimension.

2	B2	PBT	UL94V-0	RoHS2&H.F Fit (IR Reflow)
1	B0	PBT	UL94V-0	RoHS2 Fit (IR Reflow)
NO.CODE	MATERIAL		REMARK	

TABLE A : Plactical Material



P/N: HD1124W-XXXX-38XXXXX

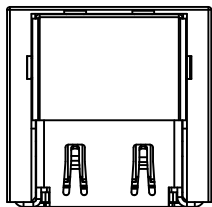


3	SHELL	1	SEE PN.	NICKEL PLATED.	-
2	TERMINAL	38	BRASS	GOLD FLASH IN CONTACT AREA, MATTE TIN PLATED IN SOLDER AREA, UNDERPLATING Ni OVER ALL.	-
1	HOUSING	1	PBT	Choose from P/N item color	-
NO.	DESCRIPTION	QTY	PARTS MATERIAL	PLATING OR COLOR	REMARK

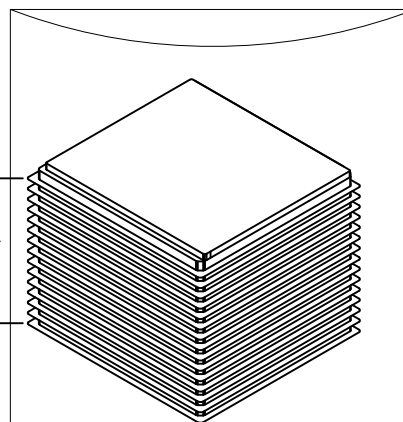
Tolerance	MODEL NAME: DUAL HDMI STACKED CONNECTOR	DRAWING: Peter Wang
X.X ±0.30	MODEL No: HD1124W-XXXX-XXXXXXX	CHECKED: David Zhou
X.XX ±0.20	SCALE: 1:1	APPROVED: Jacky Lee
X.XXX ±0.10		REVISION A0
Angle ±3.0°	SHEET 1/1	DATE: 2018.04.10
UNIT: mm	菱揚精密有限公司 Ling Yang Precision Co.,Ltd	FILE: CD/LINGYANG
		DWG NO. HD1124W-A001

正式图 参考图

Mark	ECN NO.	DESCRIPTION	DESIGN	Date:
—	—	NEW VERSION	Peter Wang	2018.04.10

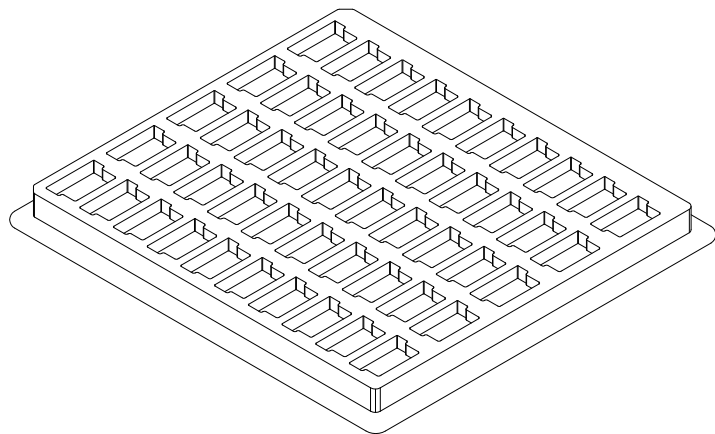
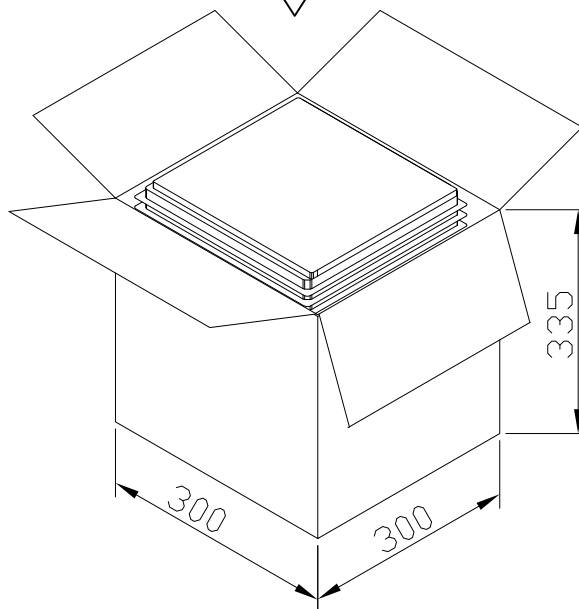


11 TRAY



Waterproof Bag

托盘包装
1盘=40PCS



NO.	DESCRIPTION	QTY	PARTS MATERIAL	SIZE
4	Carton	1	--	300X300X335(mm)
3	Waterproof Bag	1	--	--
2	TRAY	11	PVC	--
1	Products	440	--	--

Net weight: -KG	Tolerance ±5
Gross weight: -KG	
UNIT:cm	

MODEL NAME: Packing specification		DRAWING: Peter Wang	
MODEL No:HD1124W-XXXX-XXXXXXX		CHECKED: David Zhou	
SCALE: 1:1	REVISION A0	REVISION SHEET	APPROVED: Jacky Lee
		1/1	DATE: 2018.04.10
Ling Yang Precision Co.,Ltd		FILE: CD/LINGYANG	
		DWG NO.HD1124W-B001	



菱揚精密有限公司
Ling Yang Precision Co.,Ltd