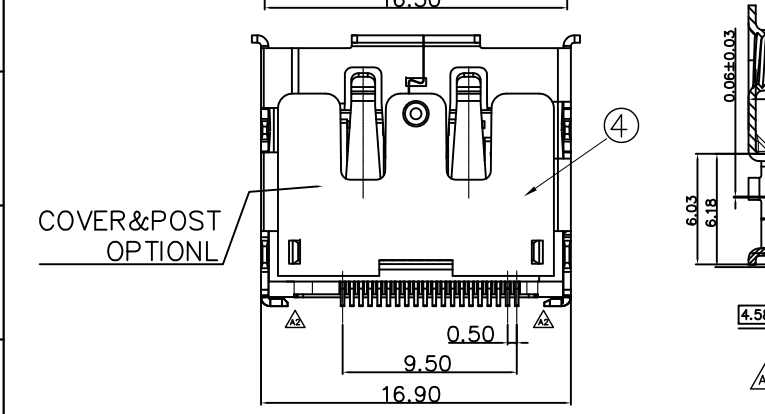
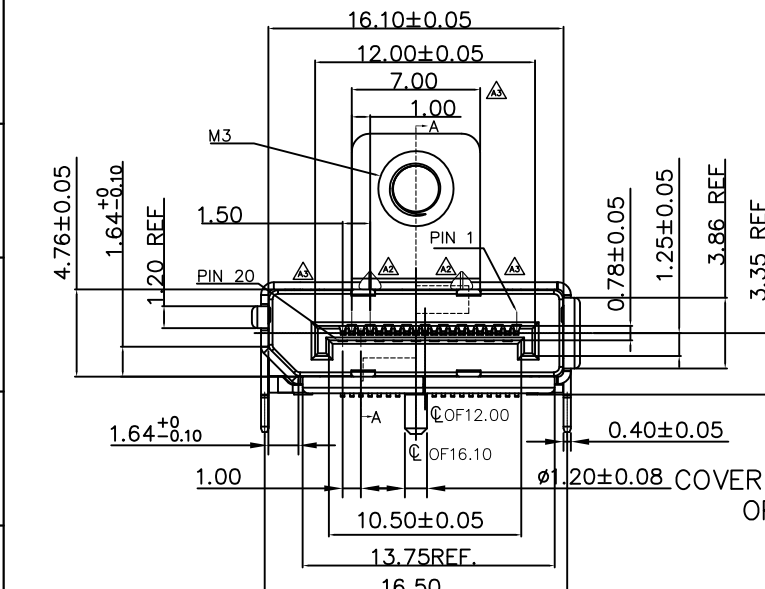
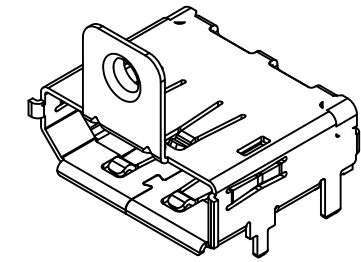
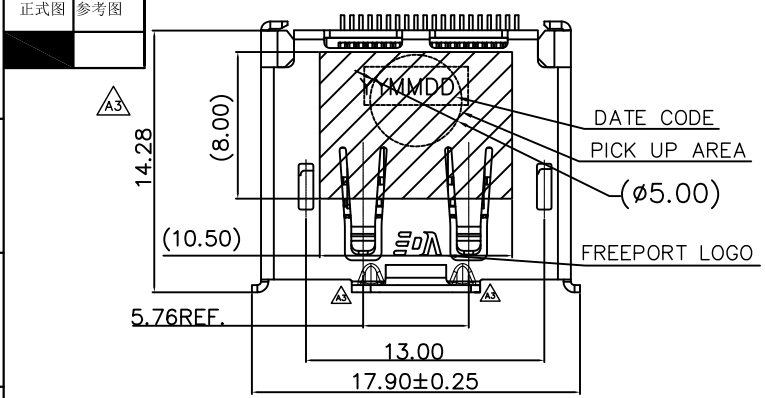


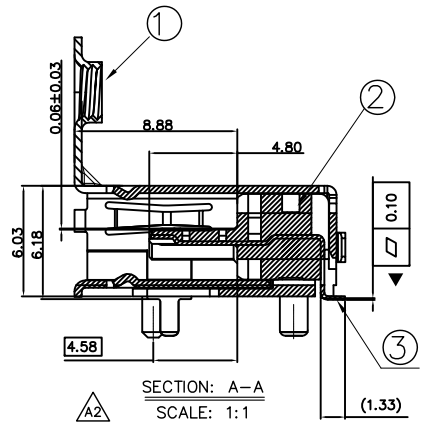
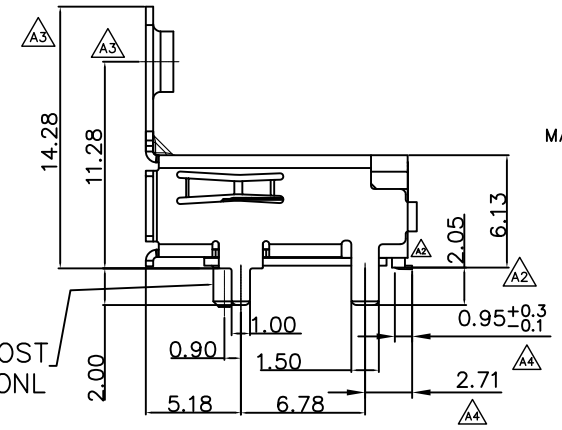
正式图 参考图

RoHS compliant HALOGEN FREE

Mark	ECN NO.	DESCRIPTION	DESIGN	Date:
A0		INITIAL RELEASE	David Zhou	2017.09.18
A1	EN20171211002	Modify the part structure	David Zhou	2017.09.18
A2	EN20180305001	Modify the part structure	David Zhou	2018.03.05
A3	EN20180315007	Modify the part structure	David Zhou	2018.03.15
A4	EN20180502002	Modify the part structure	Peter Wang	2018.05.02



DATE CODE 1:
 YY WW DD
 DATE: 01~31
 WEEK: 01,02.....
 YEAR: 14,15.....



SPECIFICATIONS:

- MECHANICAL :
 - INSERTION FORCE : 44.1 N MAX
 - WITHDRAWAL FORCE : 9.8 N MIN.
AFTER 5,000 CYCLES MATING: 0.3kgf MIN.
- ELECTRICAL :
 - CONTACT CURRENT RATING: 0.5A MIN.
 - VOLTAGE RATING : 40V AC (rms)
 - WITHSTANDING VOLTAGE: 500 VAC FOR 1 MINUTE.
INSULATION RESISTANCE: 100 MEGAOHMS MIN.
 - CONTACT RESISTANCE: 30 MILLIOHMS MAX.
- ENVIRONMENTAL :
 - OPERATING TEMPERATURE: -40°C TO +85°C

DP1013A-XXXX-20XXX0X

MATERIAL OF HOUSING
 CORLOR
 01: BLACK
 PIN NUMBER:
 PACKING:
 R: TAPE REEL
 B: TRAY
 M: TAPE REEL+ Mylar
 Product salt mist
 A: Normal;
 B: 24Hours;
 C: 48Hours
 CONTACT AREA PLATING:
 A3: 30u" Au
 A2: 15u" Au
 A1: GOLD FLASH
 A0: 3u" Au

QTY'S	SPECIFICATION	PART	ITEM
1	LCP+30%G/F BLACK	HOUSING COVER	④
20	C2680 T=0.2mm,GOLD OPTION,NI: 30u"MIN,CU: 50u"MIN	CONTACT	③
1	LCP+30%G/F BLACK	HOUSING	②
1	C2680 T=0.4mm,NI: 50u"MIN	SHELL	①

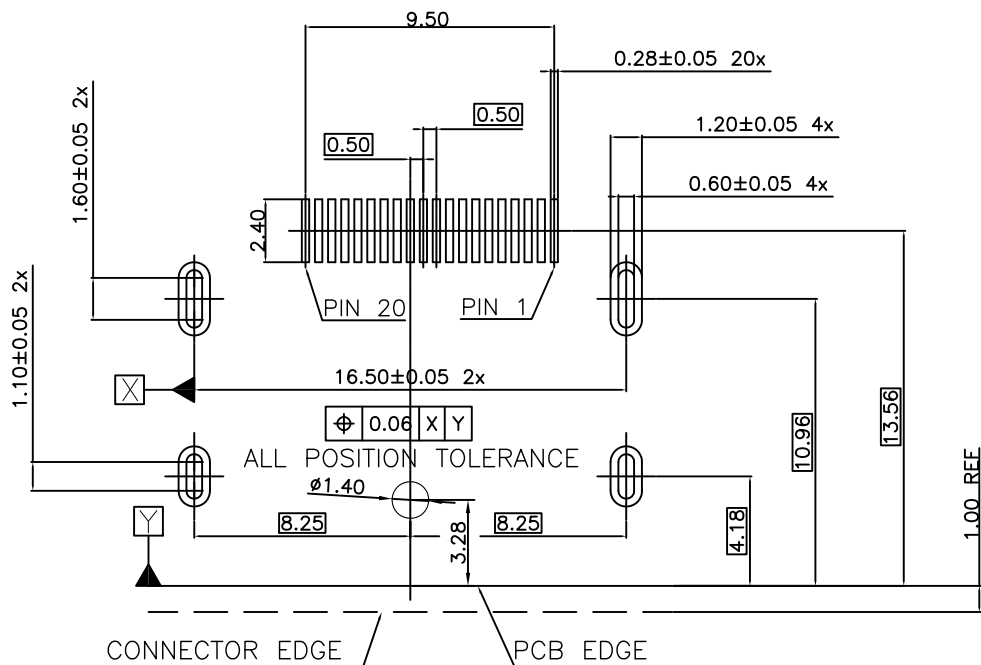
MATERIAL:	TOLERANCE UNSPECIFIED: .000 ± 0.15 .00 ± 0.20 .0 ± 0.25 ± 0.30 ANGLE ± 2°	FREEPORT RESOURCES ENTERPRISES CORP.	
FINISH:	DRAWN: DESIGNER: CHECKED: APPROVED:	SCALE: 1:1 UNIT: mm	SHEET: 1/2 REV.: 0.1
		NAME: DISPLAYPORT RECEPTACLE SMT TYPE, WITH POST DRAWING NO.: DP1013A-XXXX-20XXX0B	

正式图 参考图

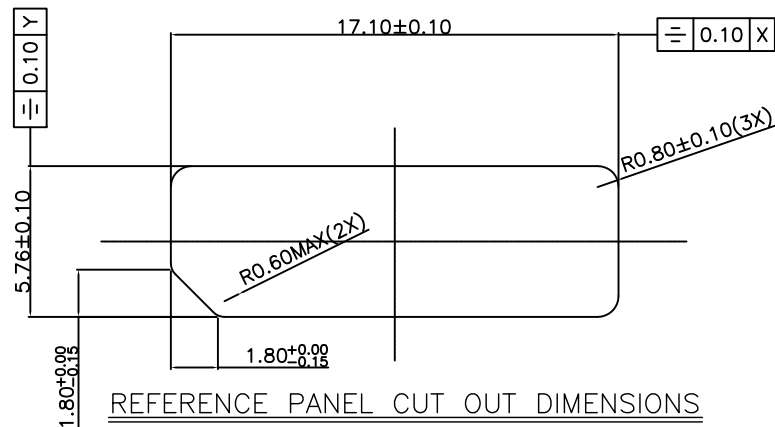
RoHS compliant

HALOGEN FREE

Mark	ECN NO.	DESCRIPTION	DESIGN	Date:
A0		INITIAL RELEASE	David Zhou	2017.09.18
△1	EN20171211002	Modify the part structure	David Zhou	2017.09.18
△2	EN20180305001	Modify the part structure	David Zhou	2018.03.05
△3	EN20180315007	Modify the part structure	David Zhou	2018.03.15
△4	EN201805020002	Modify the part structure	Peter Wang	2018.05.02



RECOMMENDED P.C.B. LAYOUT (THICKNESS=1.60mm)
TOLERANCE UNSPECIFIED ±0.05mm



REFERENCE PANEL CUT OUT DIMENSIONS

MATERIAL:	TOLERANCE UNSPECIFIED: .000 ± 0.15 .00 ± 0.20 .0 ± 0.25 ± 0.30 ANGLE ± 2°	FREEPORT RESOURCES ENTERPRISES CORP.	
		SCALE: 1:1	UNIT: mm
FINISH:	DRAWN:	NAME: DISPLAYPORT RECEPTACLE SMT TYPE, WITH POST	
	DESIGNER:		
	CHECKED:	DRAWING NO.: DP1013A-XXXX-20XX00B	
	APPROVED:		
		SHEET: 2/2	
		REV.: 0.1	