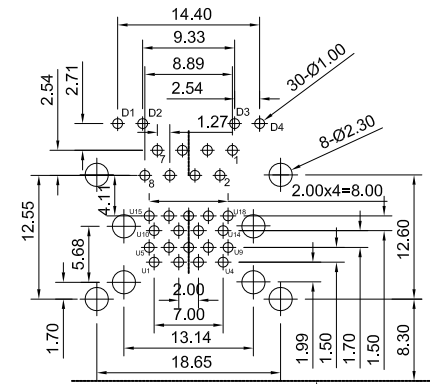
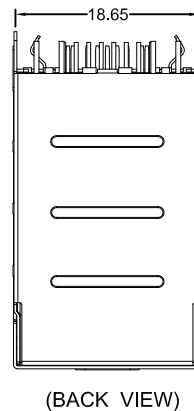
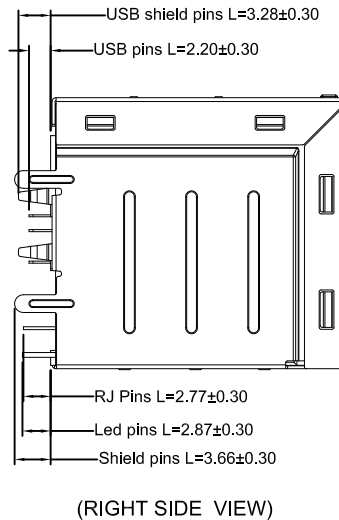
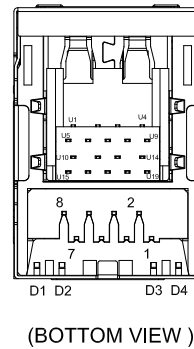
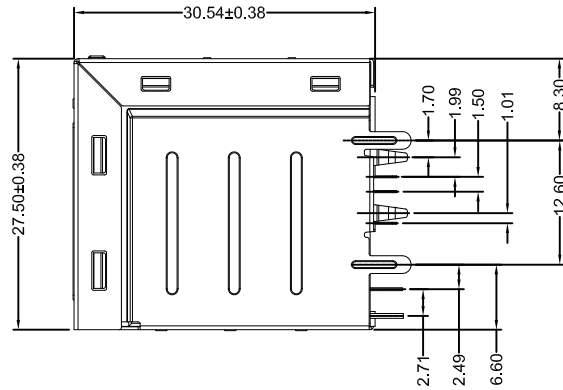
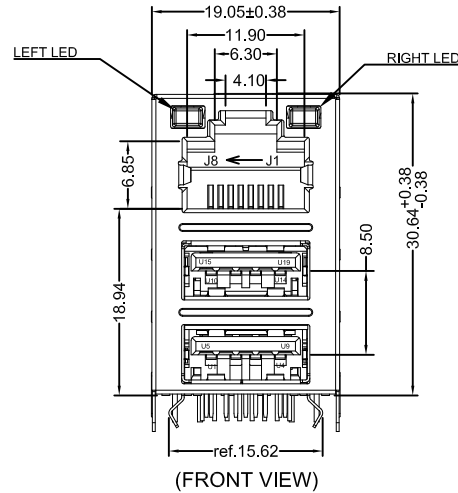


正式图 参考图

Mark	ECN NO.	DESCRIPTION	DESIGN	Date:
—	—	NEW VERSION	Peter Wang	2018.08.06

1.Mechanical:

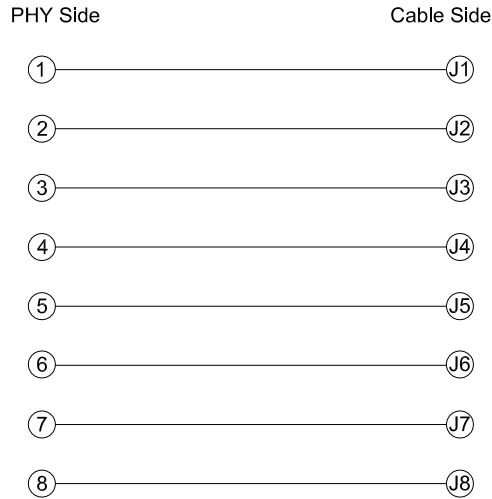


PRODUCT LOCATION PROFILE
RECOMMENDED P.C.B. PATTERN LAYOUT
 TOP VIEW (ALL TOLERANCE ARE:0.05mm)

Tolerance X.X ±0.38 X.XX ±0.25 X.XXX ±0.15 Angle ±3.0°	MODEL NAME: RJ45 Connector with double USB3.1, Receptacle, Horizontal,Shielded,Tht,With LED	DRAWING: Peter Wang		
	MODEL No: GZUR005-XXXX-XXXXXXXX	CHECKED: David Zhou		
UNIT:mm	SCALE:1:1	REVISION A0	SHEET 1/2	APPROVED: IVAN
		DATE: 2018.08.06		FILE: CD/LINGYANG
Ling Yang Precision Co.,Ltd			DWG NO. GZUR005-A001	

Mark	ECN NO.	DESCRIPTION	DESIGN	Date:
—	—	NEW VERSION	Peter Wang	2018.08.06

2.Schematic :



P/N: GZUR005-XX01-XXXXXXB

Model P/N

Plastical Material (Choose From Table B)

Housing Color
01: BLACK/BLACK

Led Color (See Table A)

Packing
B:Tray;

LED Polarity
(Choose From Table D)

Shell Material
 S:SUS
 H:SPCC

Plating Code
(Choose From Table C)

3.Notes :

- RJ45
- Designed to support application, such as SOHO(ADSL modems) LAN-on-Motherboard(LOM), hub and Switches.
 - Meets IEEE802.3 specification.
 - Connector Material:
 - Housing&Insertion Base: Thermo plastics PBT+30%GF, UL94V-0.
 - RJ45 Terminal:
 - Phosphor Bronze C5191, Thickness=0.30mm.
 - Flash Gold plating on RJ45 contact area.
 - Tin Plating 100u" on solder tail area
 - 4.45u" min Ni underplating over all.
 - Shell: SPCC .Thickness=0.25mm.Nickel plating overall.
 - Electrical performance:

4-1.Voltage Current Rating	:1.5 AMP. 30V AC
4-2.Insulation Resistance	:1000M Ω Min.
4-3.Contact Resistance	:40 m Ω Max.
4-4.Dielectric Withstanding Voltage	:500V AC
4-5.Durability	:750 cycles .
 - Operating temperature range : -20℃ to +85℃.
Storage temperature range : 0℃ to +70℃.

- USB:
- Material Specification:
 - Cover :PA66+30%G.F, UL94V-0.Color:black.
 - Housing :PA66+30%G.F, UL94V-0.Color:black.
 - Middle Bullet :SK7 T=0.25.
 - Shell :SUS304 T=0.25.
 - Contacts :Brass(C2680) T=0.20.
 - Plating Specification:
 - Contacts: Au G/Fu" & 80u"matte Tin plated & 50u"Nickel plated
 - Front Shell: 50u"MIN matte Tin plating on solder tails over 20u"MIN Nickel
 - Middle Bullet: 80u" Nickel plated & 50u" copper plated
 - Mechanical Performance.
 - Insertion Force:3.5Kgf MAX.
 - Extraction Force:1.0-3.5Kgf.
 - Durability:5000 cycles .
 - Electrical Performance:
 - Insulation Resistance:100M MIN.
 - Delectric Withstand Voltage:AC 100V for 1 minute.
 - Wave Solder:

The Connector Shall Be mounted on the PCB.
The temperature of the solder shall be 260±5℃
And immersion duration:10 seconds.

Gold Plated

部位 編號	M.J.	USB
00	Gold Flash	3.0
01	6u"	
02	15u"	
03	30u"	
04	50u"	
05	Gold Flash	3.1
06	6u"	
07	15u"	
08	30u"	
09	50u"	

LED Color Options Table

LED Color Options		LED DASH OPTION	Choose
LED 2 (Left)	LED 1 (Right)		
Without LED	Without LED		00
Green	Orange		01
Orange	Green		02
Green	Red		03
Red	Green		04
Red	Yellow		05
Orange	Orange/Green		06
Orange	Green/Orange		07
Green	No LED		08
No LED	Yellow/Green		09
Green/Orange	Yellow		10
Green	Orange/Green		12
Green/Yellow	Green/Yellow		13
Green/Yellow	Green		14
Red	Red		15
Green/Red	Yellow/Green		16
Yellow	Orange/Green		17
Yellow	Green		18

TABLE A:Led Color

LED Polarity Table

(Applicable only for single-colored LED)

部位 編號	LED 2 (Left)	LED 1 (Right)
0		
1		
2		
3		

TABLE D : LED Polarity

TABLE C : Plating Code

NO.	CODE	MATERIAL	COLOR	REMARK
2	B4	PBT 30%G/F UL94V-0	BLACK	RoHS2&H.F Fit
1	B0	PBT 30%G/F UL94V-0	BLACK	RoHS2 Fit

TABLE B : Plastical Material

Tolerance X.X ±0.38 X.XX ±0.25 X.XXX ±0.15 Angle ±3.0°	MODEL NAME: RJ45 Connector with double USB3.1, Receptacle Horizontal,Shielded,Tht,With LED	DRAWING: Peter Wang
	MODEL No: GZUR005-XXXX-XXXXXXXX	CHECKED: David Zhou
	SCALE:1:1	APPROVED: IVAN
	REVISION A0	DATE: 2018.08.06
UNIT:mm		FILE: CD/LINGYANG
	菱揚精密有限公司 Ling Yang Precision Co.,Ltd	DWG NO. GZUR005-A001