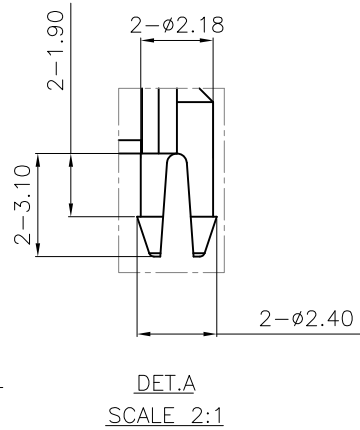
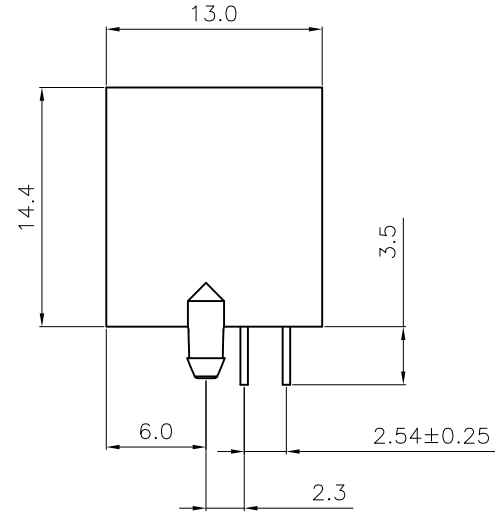
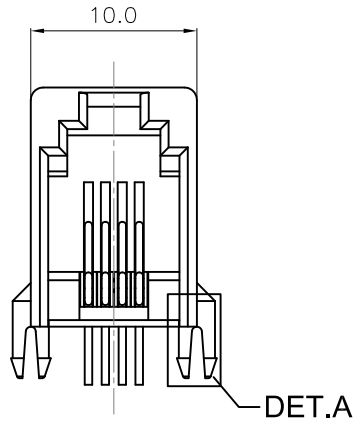
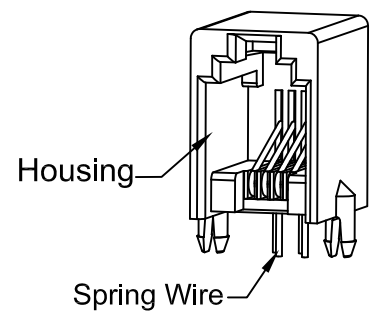
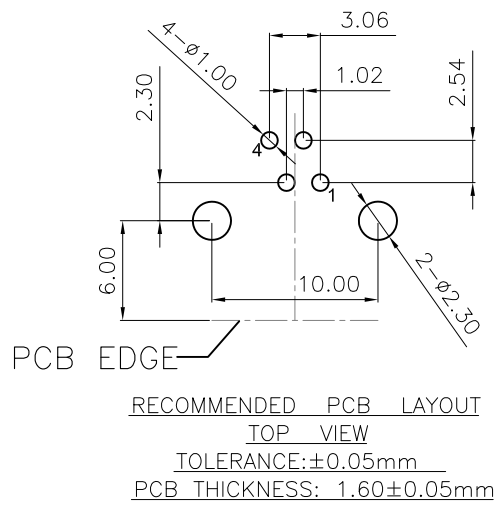
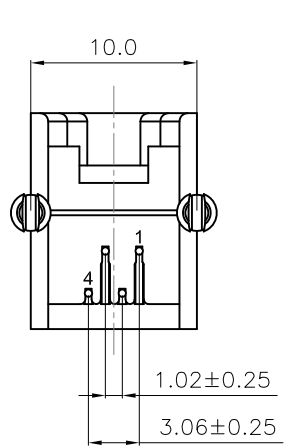


正式图 参考图 CUSTOMER DRAWING
The requirements of environmental protection
ROHS2 Halogen free

Mark	ECN NO.	DESCRIPTION	DESIGN	Date:
—	—	NEW VERSION	David Zhou	2017.04.20



SPECIFICATION:
Electrical:
Current Rating:1.5Amp max
Voltage Rating:150VAC max
Insulation Resistance:500 megohms min
Contact Resistance:30 milliohms max
Withstanding Voltage:1000 VAC
Mechanical:
Durability:750 Cycles
Operating Temperature:-40°C~+70°C
Storage Temperature:-50°C~+75°C
Contact Normal Force:100g Minimum
Soldering Temperature:
260+/-5°C,5sec/95%Areabe covered
Withstand Temperature: 270+/-5°C,5sec No stick tin melting phenomenon



P/N:
Model P/N RJ1156W-XXXX-XXXX00B
 B:Tray
 B:Tray
 Plating Code:
 00:Gold Flash
 01:6u"
 02:15u"
 03:30u"
 04:50u"
 Contacts:
 2C:2Pin Contacts
 4C:4Pin Contacts
 Plasting Material:
 B0:PBT4815 15%GF,UL94-V0 ROHS
 B4:PBT5615 15%GF,UL94-V0 ROHS&H.F
 D6:PA66 30%GF,UL94-V0 ROHS&H.F
 Button Color:
 01:Black
 03:White
 08:Gray(Cool Gray2C)
 Chocolate:
 LED Color Options Table

NO.	DESCRIPTION	QTY	PARTS MATERIAL	PLATING OR COLOR	REMARK
2	TERMINAL	4	Phosphor Bronze Dia 0.45mm	Gold XXu" (Min) on contact area;Nickel plated under over all.(Gold See Part No)	-
1	Housing	1	Choose from P/N	Choose from P/N item color	-

Tolerance	MODEL NAME:RJ11 CONNECTOR	DRAWING: David Zhou
X.X ±0.30	MODEL No:RJ1156W-XXXX-XXXXXXX	CHECKED: David Zhou
X.XX ±0.20	SCALE:1:1	APPROVED:Jacky Lee
X.XXX ±0.10	REVISION A0	DATE: 2017.04.20
Angle ±3.0°	SHEET 1/1	FILE: CD/LINGYANG
UNIT:mm	菱揚精密有限公司 Ling Yang Precision Co.,Ltd	DWG NO.RJ1156W-A001