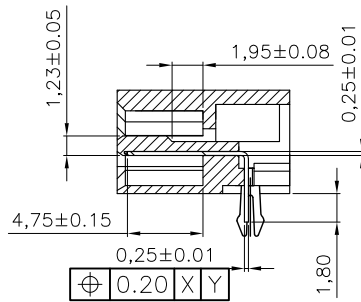
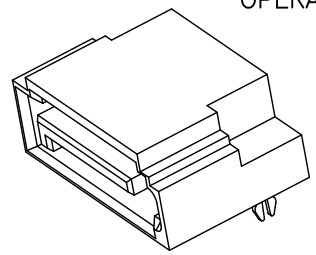
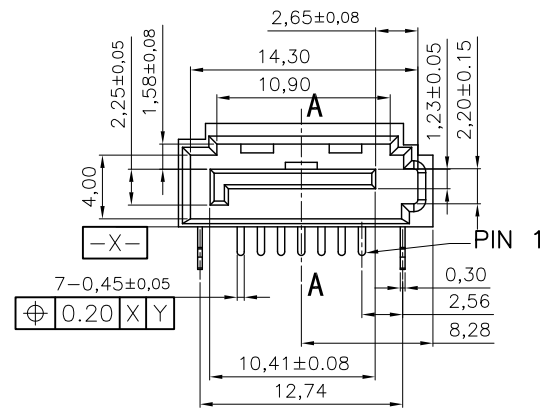
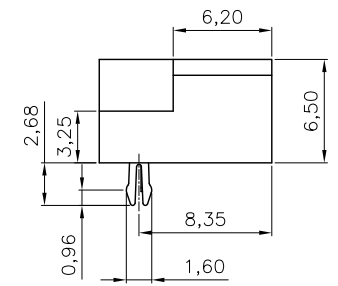
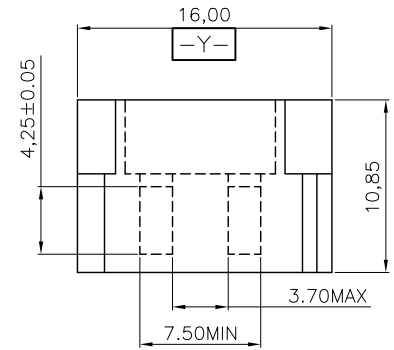


正式图 参考图 CUSTOMER DRAWING
The requirements of environmental protection
ROHS2 Halogen free

Mark	ECN NO.	DESCRIPTION	DESIGN	Date:
—	—	NEW VERSION	Zeng Yu	2014.04.10
△	ECN141127001	ADD PLATED CODE	Carlyele Xu	2014.11.28



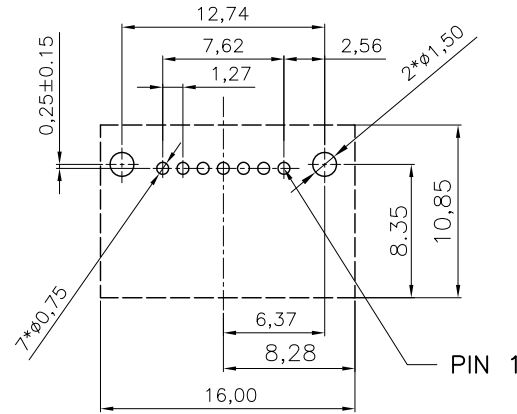
SECTION A-A
SCALE 1 : 1



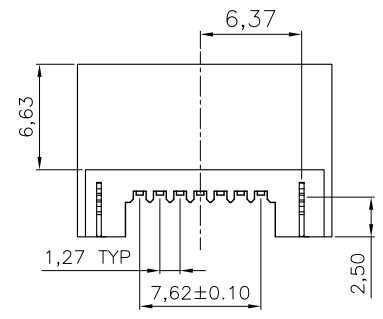
NOTES:
1.MATERIAL:
Insulator:NY66+30%GF,UL94V-0
CONTACT:BRASS
BOARDLOCK:TINPLATE
2.FINISH:
CONTACT: Selective(See P/N)
3.SPECIFICATIONS:
Current Rate : 1.5 AMP
Operation voltage: 100 VAC MAX
Dielectric Withstanding Voltage : 500V AC
Insulation Resistance : 1000MΩ Min. at DC 500V
Contact Resistance : 30mΩ Max
4.PHYSICAL:
RESISTANCE TO WAVE SOLDERING HEAT:270±5°C,
OPERATING TEMPERATURE:-55°C~+125°C

SAISM19W-D0XX-07XX00X

Model P/N NY66+30%GF
01:Black
34:Light Blue 298U
36:Light Gray 7541U
37:Dark Blue 2935U
60:Charcoal 7547U
61:Dark Gray 432U
63:Blud 300C
packing B:Tray R:Reel
plating A3: GOLED FLASH A5: Au 15"
Type 07: 7PIN



PCB LAYOUT



Tolerance	MODEL NAME:SATA 7P 90°DIP TYPE	DRAWING: Miao Xue Ting
X.X ±0.30	MODEL No:SAISM19W-D0XX-07XX00X	CHECKED: Zeng Yu
X.XX ±0.20	SCALE:1:1	APPROVED:Xiao Zhong Bo
X.XXX ±0.10	REVISION A1	DATE: 2013.11.12
Angle ±3.0°	SHEET 1/1	FILE: XZB/LINGYANG
UNIT:mm	菱揚精密有限公司 Ling Yang Precision Co.,Ltd	DWG NO. SAISM19W-A001

1	2	3	4	5	
NO.	DESCRIPTION	QTY	PARTS MATERIAL	PLATING OR COLOR	REMARK
1					