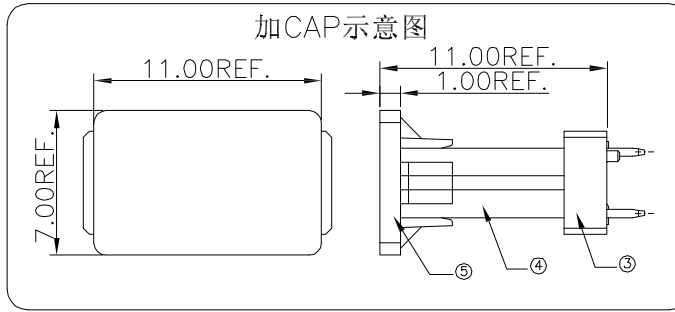


正式图 参考图

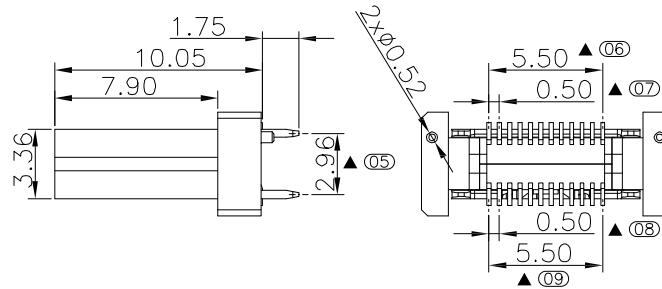
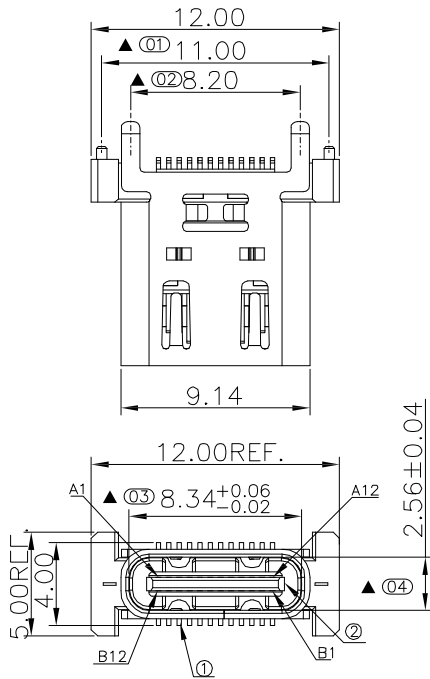
Mark	ECN NO.	DESCRIPTION	DESIGN	Date:
—	—	NEW VERSION	Peter Wang	2018.09.29

加CAP示意图



SPECIFICATION:

- CURRENT RATING: 3.0A MAX
- Withstanding Voltage: 100V AC
- TEMPERATURE RANGE: -30 °C ~ 85 °C
- CONTACT RESISTANCE: 40 MILLIONHM MAX
- INSULATION RESISTANCE: 100 MEGOHMS
- INSERTION FORCE : 5N~20N
- UNMATING FORCE: 8N~20N (1~1000 CYCLES)
6N~20N (After1000 CYCLES)
- DURABILITY: 10,000 CYCLES
- SIGN"▲"IS IMPORTANCE DIMENSION.

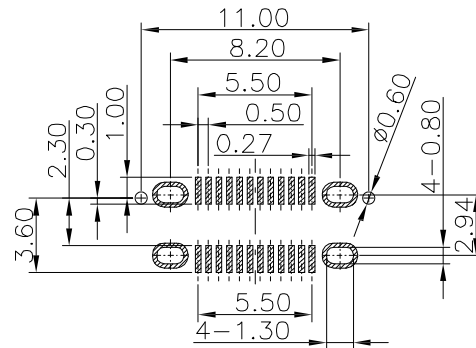
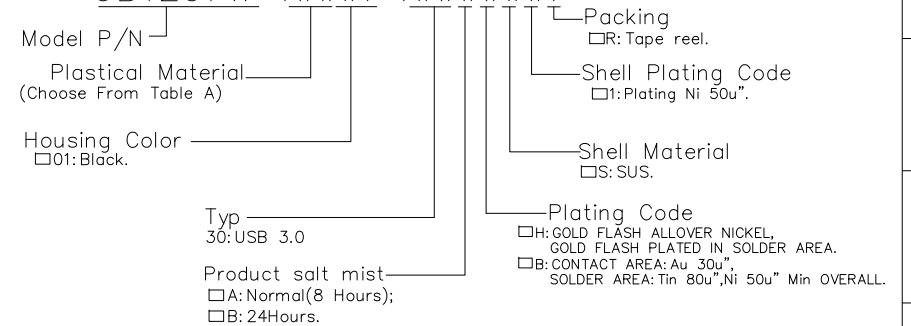


NO.	CODE	MATERIAL	REMARK
2	C1	LCP UL94V-0	RoHS2 Fit
1	C0	LCP UL94V-0	RoHS2&H.F Fit

TABLE A : Plactical Material

P/N:

UB1207W-XXXX-XXXXXXX



RECOMMENDED P.C.B. LAYOUT (T:1.00mm)
TOLERANCE UNSPECIFIED ±0.05mm

NO.	DESCRIPTION	QTY	PARTS MATERIAL	PLATING OR COLOR	REMARK
5	Cap	1	LCP UL94V-0	Black	
4	Shell	1	Stainless Steel	Choose from P/N item	X
3	Latch	1	Stainless Steel	—	X
2	Contact	24	Copper Alloy	Choose from P/N item	X
1	Housing	1	See Table A	Choose from P/N item color	X

Tolerance	MODEL NAME:USB 3.0 180度 C TYPE	DRAWING: Peter Wang
X.X ±0.30	MODEL No: UB1207W-XXXX-XXXXXXX	CHECKED: David Zhou
X.XX ±0.20	SCALE:1:1	APPROVED: Jacky Lee
X.XXX ±0.10		REVISION A0
Angle ±3.0°	SHEET 1/1	DATE: 2018.09.29
UNIT:mm	菱揚精密有限公司 Ling Yang Precision Co.,Ltd	FILE: CD/LINGYANG
		DWG NO.UB1207W-A001