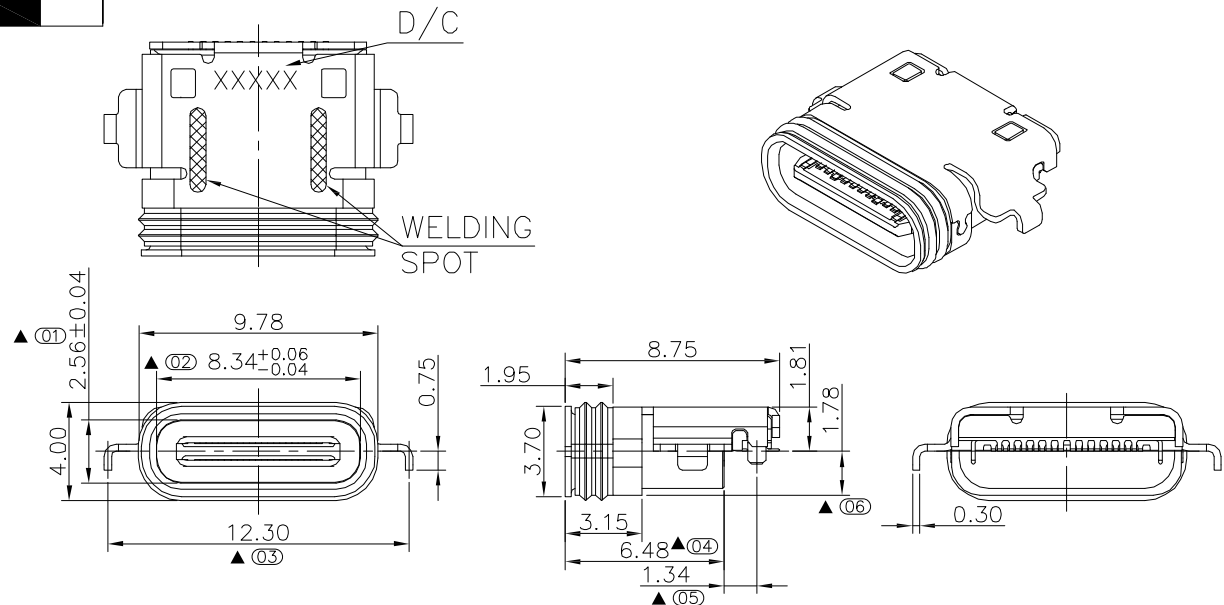


正式图 参考图

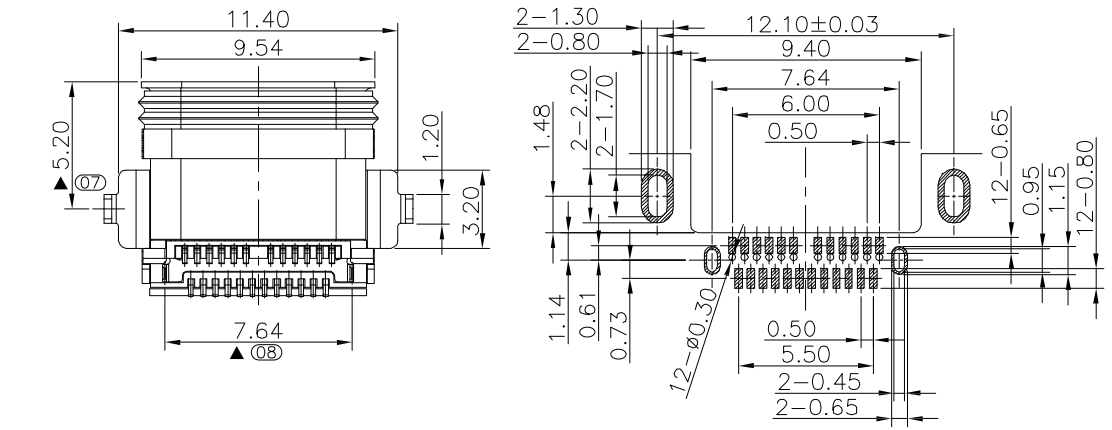
Mark	ECN NO.	DESCRIPTION	DESIGN	Date:
—	—	NEW VERSION	Peter Wang	2018.09.29



- 1.MECHANICAL:
 INSERTION: 5~20N.
 EXTRACTION: 8~20N.
 DURABILITY: 5000 CYCLES
- 2.ELECTRICAL:
 CURRENT: 3A MIN FOR VBUS;
 VOLTAGE: 5VAC MAX
 WITHSTANDING VOLTAGE: 100V AC.
 CONTACT RESISTANCE: 40mΩ MAX.
 INSULATION RESISTANCE: 100MΩ MIN.
- 3.ENVIRONMENTAL
 TEMPERATURE RANGE -55°C ~ +85°C
- 4.SIGN"▲"IS IMPORTANCE DIMENSION.

2	C1	LCP UL94V-0	RoHS2 Fit
1	CO	LCP UL94V-0	RoHS2&H.F Fit
NO.CODE		MATERIAL	REMARK

TABLE A : Plastical Material



RECOMMEND DRAWING OF RECOMMEND TION LAND(TOLERANCE:±0.05)

P/N: UB1213W-XXXX-XXXXXXXX

Model P/N _____

Plastical Material _____
(Choose From Table A)

Housing Color _____
01:Black.

Typ _____
30:USB 3.0

Product salt mist _____
A:Normal(8 Hours);
B:24Hours.

Packing _____
R:Tape reel.

Remark _____
0:Normal.

Shell Material _____
S:SUS.

Plating Code _____
H:GOLD FLASH ALLOVER NICKEL,
GOLD FLASH PLATED IN SOLDER AREA;
B:CONTACT AREA: Au 30u",
SOLDER AREA: G/F.

9	Bond	1	Adhesive	—	X
8	Seal-ring	1	Silicone rubber	Blue	X
7	Shell cover	1	Stainless Steel	Ni Plated over all, only soldering area plating G/F.	X
6	Shell	1	Stainless Steel	Ni Plated	X
5	Angle	1	Stainless Steel	—	X
4	GND Plate	1	Stainless Steel	—	X
3	MID-Plate	1	Stainless Steel	Ni Plated over all, only soldering area plating G/F.	X
2	Contact	24	Copper Alloy	Au Plated	X
1	Housing	1	See Table A	Black	X
NO.	DESCRIPTION	QTY	PARTS MATERIAL	PLATING OR COLOR	REMARK

Tolerance

X.X	±0.30
X.XX	±0.25
X.XXX	±0.10
Angle	±3.0°

MODEL NAME:USB 3.0 90度 C TYPE

MODEL No: UB1213W-XXXX-XXXXXXXX

REVISION A0

SHEET 1/1

SCALE:1:1

APPROVED: Jacky Lee

DATE: 2018.09.29

FILE: CD/LINGYANG

DWG NO.UB1213W-A001

UNIT:mm

菱揚精密有限公司
Ling Yang Precision Co.,Ltd